

1 Complete the tables.

10		30	40	50	60		80	90	100
X	XX		XL	L		LXX			C

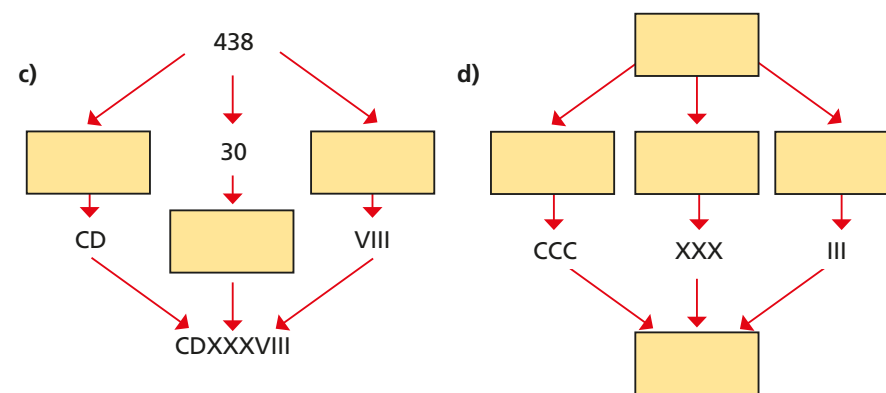
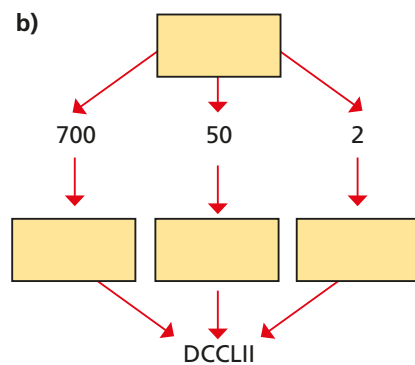
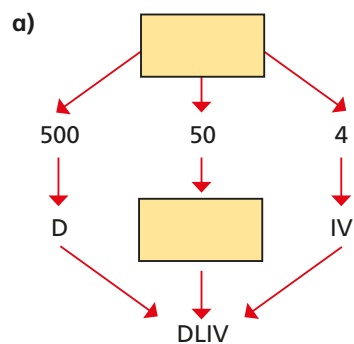
100	200	300	400		600	700		900	1,000
		CCC		D	DC		DCCC		M

2

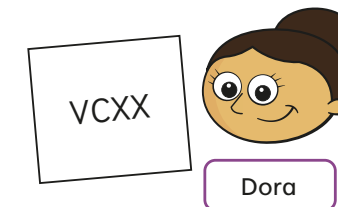
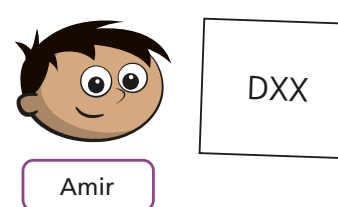


What year is shown at the end of the film?

3 Write the numerals and Roman numerals to complete the diagrams.



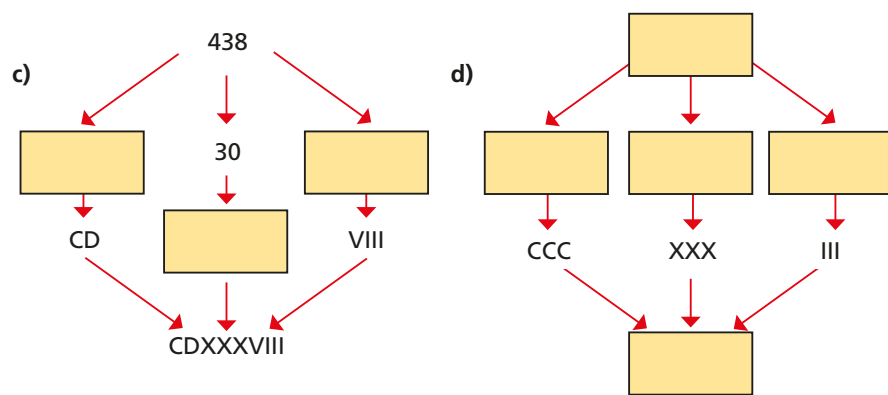
4 Dora and Amir are writing 520 in Roman numerals.



- Who is correct?
- What mistake has the other person made?

5 Complete the table.

Numerals	Words	Roman numerals
52		
	six hundred and thirty-five	
		CMXCI
	four hundred and seven	
		DCCCXXXIX



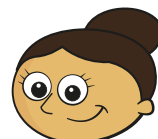
4 Dora and Amir are writing 520 in Roman numerals.



DXX

Amir

VCXX



Dora

- Who is correct?
- What mistake has the other person made?

5 Complete the table.

Numerals	Words	Roman numerals
52		
	six hundred and thirty-five	
		CMXCI
	four hundred and seven	
		DCCCXXXIX

6 Match the calculations to the answers.

XXVII + III	CDLXX
D - XXX	DC
M ÷ D	CCCL
DCCC - CC	XXX
L × VII	II

7 Complete the sequences.

- V, X, , XX, , XXX, ,
- C, CL, , CCL, CCC, , ,
- X, XX, XXX, , , LX, ,
- III, , IX, , XV, XVIII, ,

- 8
- What month is shown?
 - What year is shown?
 - Write today's date in Roman numerals.

Day	Month	Year
XI / V / MCMLXXXVI		